

# High Resolution Mini Dome Camera SID-53/56

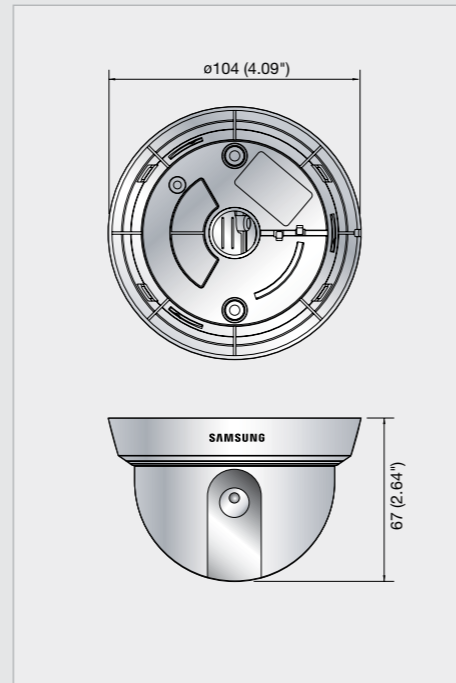


## Specifications

Mode	SID-53N	SID-53P	SID-56N	SID-56P
Power Source	12V DC (±10%)			
Power Consumption	Max. 1.8W			
Image Pick-up Device	1/3" Super HAD CCD			
Total Pixels	811(H) x 508(V)	795(H) x 596(V)	811(H) x 508(V)	795(H) x 596(V)
Effective Pixels	768(H) x 494(V)	752(H) x 582(V)	768(H) x 494(V)	752(H) x 582(V)
Scanning System	2 : 1 Interlace 525 Lines / 60 Fields / 30 Frames	2 : 1 Interlace 625 Lines / 50 Fields / 25 Frames	2 : 1 Interlace 525 Lines / 60 Fields / 30 Frames	2 : 1 Interlace 625 Lines / 50 Fields / 25 Frames
Synchronization	Internal			
Scanning Frequency	Horizontal : 15,734KHz Vertical : 59.94Hz	Horizontal : 15,625KHz Vertical : 50Hz	Horizontal : 15,734KHz Vertical : 59.94Hz	Horizontal : 15,625KHz Vertical : 50Hz
Horizontal Resolution	580TV lines (Min.)			
Video Output	1.0Vp-p / 75Ω (Video 0.714Vp-p, Sync 0.286Vp-p)	1.0Vp-p / 75Ω (Video 0.7Vp-p, Sync 0.3Vp-p)	1.0Vp-p / 75Ω (Video 0.714Vp-p, Sync 0.286Vp-p)	1.0Vp-p / 75Ω (Video 0.7Vp-p, Sync 0.3Vp-p)
Lens	Fixed : 3mm (F2.0), 120°		Fixed : 6mm (F2.5), 60°	
S / N Ratio (Y signal)	52dB (AGC off, Weight on)			
Min. Illumination	0.04Lux@F1.2 (Sens-up mode)			
Back Light Compensation	Auto			
Gain Control	Auto			
White Balance	Auto			
Electronic Shutter Speed	Auto			
Sens-up (Frame Integration)	Auto			
SSNR	Auto			
Sharpness	Auto			
Monitoring Angle	Horizontal : Manual 0° ~ 360° / Vertical : Manual 20° ~ 90°			
Operating Temperature	-10°C ~ +50°C			
Operating Humidity	30% ~ 80% RH			
Dimensions	Ø104(W) x 67(H)mm / Ø4.09"(W) x 2.64"(H)			
Weight	180g (0.4 lb)			

## Dimensions

Unit : mm (inch)



# WIV

## Redefining What You Should Expect...



## Unprecedented 580TV Lines Resolution

High Resolution Mini Dome Camera  
**SID-53/56**

## imagine Small yet Powerful

SID-53/56, high-resolution mini dome cameras deliver outstanding images to your monitor. Utilizing our 4<sup>th</sup> generation WIV DSP, these cameras feature 580TV lines of resolution. You will enjoy low noise high quality color images because of advances in noise filtering technology. It is easy to install these palm size dome cameras, which blend well with any environment.



The Eco mark represents Samsung Techwin's will to create environment-friendly products, and indicates that the product satisfies the EU RoHS Directive.

Design and specifications are subject to change without notice.



**SAMSUNG TECHWIN CO., LTD.**  
145-3, Sangdaewon 1-dong, Jungwon-gu, Seongnam-si, Gyeonggi-do Korea 462-703  
Tel : +82-31-740-8151-8 Fax : +82-31-740-8145  
www.samsungcctv.com

**SAMSUNG OPTO-ELECTRONICS AMERICA, LTD.**  
1480 Charles Willard St. Carson, CA 90746  
Tel : +1-310-632-1234 Fax : +1-310-632-2195

**SAMSUNG OPTO-ELECTRONICS UK, LTD.**  
Samsung House, 1000 Hillwood Drive,  
Hillwood Business Park Chertsey, Surrey KT16 0PS  
Tel : +44-1932-455312 Fax : +44-1932-455325

**TIANJIN SAMSUNG OPTO-ELECTRONICS CO., LTD.**  
7 Pingchang Rd., Nankai Dist. Tianjin 300190, P.R. China  
Tel : +86-22-2761-4724(33821) Fax : +86-22-2761-6514

■ DISTRIBUTED BY



I.D-0805

**SAMSUNG TECHWIN**

**SAMSUNG**