

High Resolution Day & Night IR LED Dome Camera

SIR-60

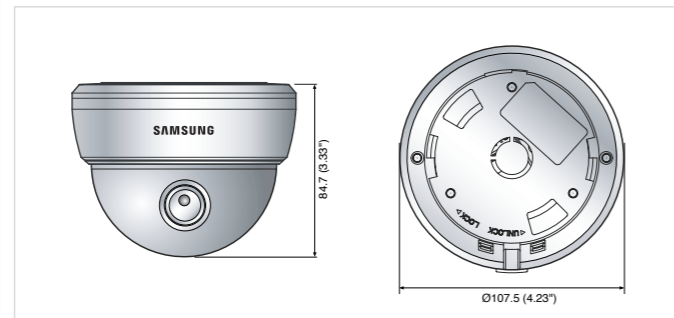


Specifications

	SIR-60N	SIR-60P
ELECTRICAL		
Input Voltage	12V DC	
Power Consumption	Max. 3.5W (LED On)	
VIDEO		
Imaging Device	1/3" Super HAD CCD	
Total Pixels	811(H) x 508(V)	795(H) x 596(V)
Effective Pixels	768(H) x 494(V)	752(H) x 582(V)
Scanning System	2 : 1 Interlace	
Synchronization	Internal / Line lock	
Frequency	H : 15.734KHz / V : 59.94Hz	H : 15.625KHz / V : 50Hz
Horizontal Resolution	Color : 580TV lines (Min.) / B/W : 700TV lines (Min.)	
Min. Illumination	Color : 0.15Lux (50 IRE@F1.2), 0.0003Lux (Sens-up, 512X) B/W : 0Lux (LED on)	
S / N (Y signal)	52dB	
Video Output	CVBS : 1.0Vp-p / 75	
LENS		
Zoom Ratio	Fixed	
Focal Length	3.6mm	
Max. Aperture Ratio	F2.0	
Min. Object Distance	0.4m (1.31ft)	
Angular Field of View	H : 71°, V : 52°	
PAN / TILT / ROTATE		
Pan Range	0° ~ 352°	
Tilt Range	0° ~ 75°	
Rotate Range	0° ~ 348°	
OPERATIONAL		
On Screen Display	Built-In (Currently supported language : English, Spanish, French, German, Italian, Japanese, Chinese)	
Camera Title	On / Off	
Day & Night	Auto (ICR) / Color / B/W	
Backlight Compensation	BLC / HLC / Off	
Motion Detection	On / Off	
Privacy Masking	On / Off (8 Programmable zones)	
3D Noise Filter (SSNRII)	Low / Medium / High / Off	
Sens-up (Frame Integration)	On / Off (Selectable limit ~ 512X)	
Gain Control	Low / High / Off	
White Balance	ATW / AWC / Manual / Indoor / Outdoor	
Electronic Shutter Speed	Auto (NTSC : 1/60 ~ 1/120,000sec, PAL : 1/50 ~ 1/120,000) / Manual / A.FLK	
Flip	On / Off	
Mirror	On / Off	
ENVIRONMENTAL		
Operating Temperature / Humidity	-10°C ~ +50°C / 20% ~ 80% RH	
Storage Temperature / Humidity	-20°C ~ +60°C / 20% ~ 90% RH	
MECHANICAL		
Dimension (WxHxD)	Ø107.6 x 83.7mm (Ø4.23" x 3.30")	
Weight	280g (0.61 lb)	
IR LED	8ea	
IR Distance	7m (23ft)	
Certification	FCC (Class A), cUL/UL listed	CE (Class A)

Dimensions

Unit : mm (inch)



Design and specifications are subject to change without notice.



The Eco mark represents Samsung Techwin's will to create environment-friendly products, and indicates that the product satisfies the EU RoHS Directive.



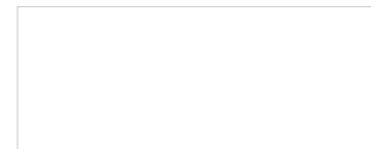
SAMSUNG TECHWIN CO., LTD.
145-3, Sangdaewon 1-dong, Jungwon-gu, Seongnam-si, Gyeonggi-do Korea 462-703
Tel : +82-31-740-8151-8 Fax : +82-31-740-8145
www.samsungcctv.com

SAMSUNG TECHWIN AMERICA Inc.
1480 Charles Willard St, Carson, CA 90746, UNITED STATES
Tel Free : +1-877-213-1222 Fax : +1-310-632-2195
www.samsungcctvusa.com

SAMSUNG TECHWIN EUROPE CO., LTD.
Samsung House, 1000 Hillwood Drive, Hillwood Business Park
Chertsey, Surrey, UNITED KINGDOM KT16 OPS
Tel : +44-1932-45-5300 Fax : +44-1932-45-5325

TIANJIN SAMSUNG TECHWIN OPTO-ELECTRONICS CO., LTD.
No. 11 Wei 6 Street, Micro-Electronic Industrial Park
Jingang Road, Tianjin, P.R. CHINA 300385
Tel : +86-22-23887788 Fax : +86-22-23887788

DISTRIBUTED BY



I.E-0910



SAMSUNG TECHWIN



See in the Dark

High Performance IR LED Indoor Dome Camera

SIR-60

High Resolution Day & Night IR LED Dome Camera

- ICR Day & Night Technology
- IR Mode for Short-Distance Images with No Color Smearing
- 580TV lines High Resolution in Color, Ultra Low Light Level of 0 Lux
- Built-in IR Lens for Nighttime Auto Focusing
- Power-Saving, High Performance IR LED Lamp



REVISED 9-2009

www.samsungcctv.com